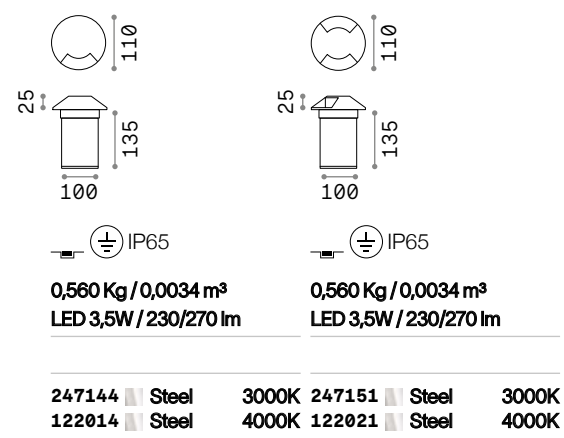


Rocket

Walkable recessed fitting. Brushed steel body. Tempered glass diffuser.

LED LED source 3000/4000 K, 30.000 h life.



Rocket Mini

Clear tempered glass diffuser. Walkable. Integrated LED source. Absence of visible screws. Available versions with 1 or 2 lights close to the ground or with a unique central accent light.

LED LED source 4000 K, 50.000 h life.

IP68 Protection degree IP68.

S316 Item made of stainless steel 316.

