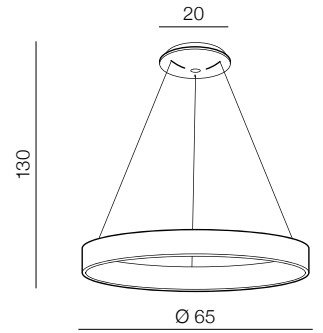
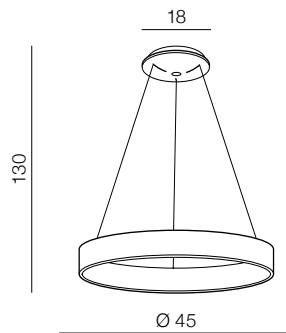
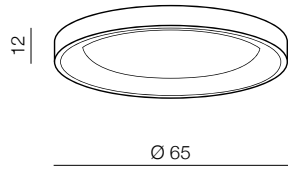
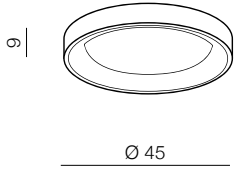




SILVAM



**Silvam 45 top** LED

**AZ2697**

(natural exotic wood+wh)  
LED 30W 1950lm 3000K  
rubber wood/metal

**Silvam 65 top** LED

**AZ2698**

(natural exotic wood+wh)  
LED 50W 3250lm 3000K  
rubber wood/acrylic

**Silvam 45 pendant** LED

**AZ3344**

(natural wood)  
LED 30W 2550lm 3000K  
rubber wood/metal

**Silvam 65 pendant** LED

**AZ2699**

(natural exotic wood+wh)  
LED 50W 3250lm 3000K  
rubber wood/acrylic

