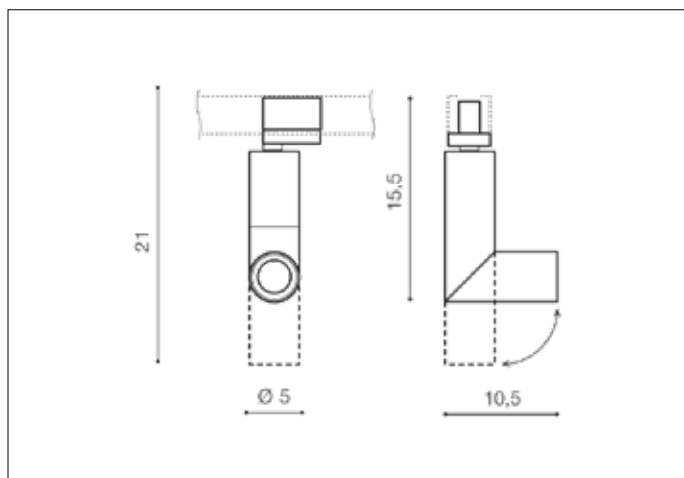




SANTOS TRACK 3LINE WHITE  
AZ2925, EAN 5901238429258



## Dimensions height / width / length [cm] Product Specifications

|                 |                                 |
|-----------------|---------------------------------|
| Product         | 15,5 ~ 21 x 5 ~ 10,5 x 5 ~ 10,5 |
| Mounting inlet: | N/A x N/A x N/A                 |
| Ceiling base:   | N/A x N/A x N/A                 |
| Shades          | 10,5 x 5 x N/A                  |

|                    |                |
|--------------------|----------------|
| Line               | TECHNICAL      |
| Type               | Track          |
| Type of track      | 3 Line         |
| Colour             | White          |
| Material           | Aluminium      |
| Light source       | 1              |
| Type of socket     | LED INTEGRATED |
| Lumens             | 825            |
| Kelvins            | 3000           |
| Beam angle         | 26°            |
| Dimmable           | N/A            |
| CCT                | N/A            |
| RGB                | N/A            |
| RA                 | ? 80           |
| App remote control | N/A            |
| Remote control     | N/A            |
| Voltage            | 230V           |
| Power              | 12W            |
| Switch location    | N/A            |
| Protection class   | IP20           |
| Tilt               | 90°            |
| Rotation           | 350°           |

## Shipping info height / width / length [cm]

|                   |                 |
|-------------------|-----------------|
| BOX 1:            | 5,5 x 26,5 x 8  |
| BOX 2:            | N/A x N/A x N/A |
| BOX 3:            | N/A x N/A x N/A |
| Net weight [kg]   | 0,5             |
| Gross weight [kg] | 0,6             |

## Energy efficiency



Azzardo Sp. z o.o.  
ul. Strzeszyńska 33 60-479 Poznań,  
NIP: 929-185-75-07

[www.azzardolighting.com](http://www.azzardolighting.com)