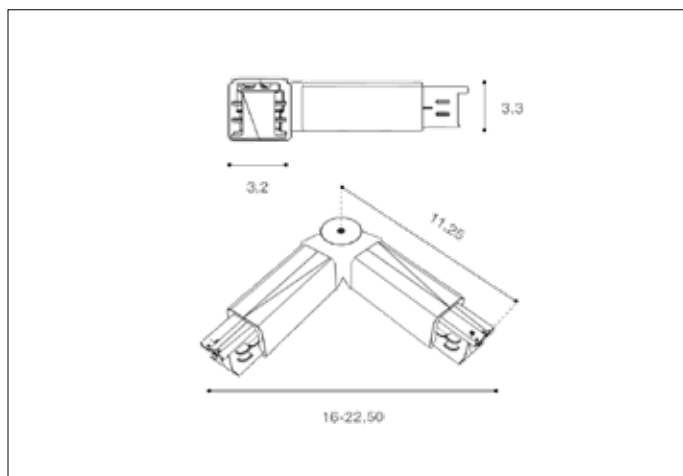




TRACK 3LINE ADJUSTABLE CONNECTOR WH AZ4285, EAN 5901238442851



Dimensions height / width / length

[cm] Product	3,3 x 3,2 x 16 ~
Mounting inlet:	N/A x N/A x N/A
Ceiling base:	N/A x N/A x N/A ^{22,50}
Shades	N/A x N/A x N/A

Product Specifications

Line	TECHNICAL
Type	Component
Type of track	3 Line
Colour	White
Material	PC
Light source	N/A
Type of socket	N/A
Lumens	N/A
Kelvins	N/A
Beam angle	N/A
Dimmable	N/A
CCT	N/A
RGB	N/A
RA	N/A
App remote control	N/A
Remote control	N/A
Voltage	230V
Power	N/A
Switch location	N/A
Protection class	N/A
Tilt	230°
Rotation	N/A

Shipping info height / width / length [cm]

BOX 1:	3,3 x 22,5 x 3,2
BOX 2:	N/A x N/A x N/A
BOX 3:	N/A x N/A x N/A
Net weight [kg]	0,13
Gross weight [kg]	0,13

Energy efficiency



Azzardo Sp. z o.o.
ul. Strzeszyńska 33 60-479 Poznań,
NIP: 929-185-75-07

www.azzardolighting.com